

## Swivel clamp connector joints

### Aluminium

#### SPECIFICATION

##### Identification No.

No. **2**: with 3 Stainless Steel-Clamping screws DIN 912

##### Types

- Type **S**: stepless adjustment
- Type **T**: adjustment by 15°-division (serration)

Aluminium

plastic coated

black RAL 9005, textured finish **SW**

blank **BL**

matt shot-blasted

Clamping bores mechanically machined

Socket cap screws DIN 912

Stainless Steel AISI 304

Hexagon nuts DIN 985

Stainless Steel AISI 304



#### INFORMATION

GN 284 swivel clamp connector joints are an assembly of the swivel clamp connectors GN 274 (see page 1850) and GN 276 (see page 1852). For the type with stepless adjustment (Type S) swivel clamp connectors with a centring step are used. Within the identical swivel width "b", all bores „d<sub>1</sub> / d<sub>2</sub>" can be combined as required.

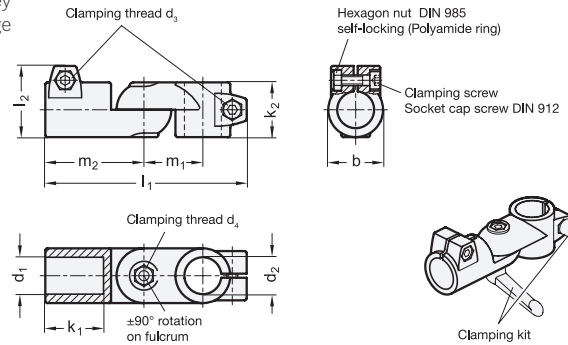
The clamping bore is mechanically machined and designed for construction tubes GN 990 (see page 1902) or DIN 2391, DIN 2395 and DIN 2462 respectively. The standard version of the clamping screws are socket cap screws with hexagonal socket DIN 912. They can be replaced by adjustable clamping levers GN 911 (see page 1874) (see table of dimensions).

#### ACCESSORY

- Clamping kits GN 911 (see page 1874)

#### TECHNICAL INFORMATION

- Stainless Steel characteristics (see page A26)



\* Complete with colour index of the Swivel clamp connector joints (SW or BL)

<b>SW</b>	<b>BL</b>
RAL9005	blank

#### GN 284

Description	d1	d2	b	d3	d4	k1	k2	l1	l2	m1	m2	Clamping kits for d3	Clamping kits for d4	⚖️
GN 284-B20-B20-S-2-*	B 20	B 20	40	M 8	M 8	42.5	40	147	52	43	72	GN 911-M8-32	GN 911-M8-35	405
GN 284-B20-B25-S-2-*	B 20	B 25	40	M 8	M 8	42.5	40	147	52	43	72	GN 911-M8-32	GN 911-M8-35	405
GN 284-B20-B30-S-2-*	B 20	B 30	40	M 8	M 8	42.5	40	147	52	43	72	GN 911-M8-32	GN 911-M8-35	405
GN 284-B25-B20-S-2-*	B 25	B 20	40	M 8	M 8	42.5	40	147	52	43	72	GN 911-M8-32	GN 911-M8-35	405
GN 284-B25-B25-S-2-*	B 25	B 25	40	M 8	M 8	42.5	40	147	52	43	72	GN 911-M8-32	GN 911-M8-35	405
GN 284-B25-B30-S-2-*	B 25	B 30	40	M 8	M 8	42.5	40	147	52	43	72	GN 911-M8-32	GN 911-M8-35	405
GN 284-B30-B20-S-2-*	B 30	B 20	40	M 8	M 8	42.5	40	147	52	43	72	GN 911-M8-32	GN 911-M8-35	405
GN 284-B30-B25-S-2-*	B 30	B 25	40	M 8	M 8	42.5	40	147	52	43	72	GN 911-M8-32	GN 911-M8-35	405
GN 284-B30-B30-S-2-*	B 30	B 30	40	M 8	M 8	42.5	40	147	52	43	72	GN 911-M8-32	GN 911-M8-35	325
GN 284-B40-B40-S-2-*	B 40	B 40	65	M 10	M 10	74	65	230	77.5	70	115	GN 911-M10-55	GN 911-M10-63	1500
GN 284-B40-B42-S-2-*	B 40	B 42	65	M 10	M 10	74	65	230	77.5	70	115	GN 911-M10-55	GN 911-M10-63	1500
GN 284-B40-B45-S-2-*	B 40	B 45	65	M 10	M 10	74	65	230	77.5	70	115	GN 911-M10-55	GN 911-M10-63	1500
GN 284-B40-B48-S-2-*	B 40	B 48	65	M 10	M 10	74	65	230	77.5	70	115	GN 911-M10-55	GN 911-M10-63	1500
GN 284-B40-B50-S-2-*	B 40	B 50	65	M 10	M 10	74	65	230	77.5	70	115	GN 911-M10-55	GN 911-M10-63	1500
GN 284-B50-B48-T-2-*	B 50	B 48	65	M 10	M 10	74	65	230	77.5	70	115	GN 911-M10-55	GN 911-M10-63	1380
GN 284-B50-B50-T-2-*	B 50	B 50	65	M 10	M 10	74	65	230	77.5	70	115	GN 911-M10-55	GN 911-M10-63	1280

\* Complete with colour index of the Swivel clamp connector joints (SW or BL)

**SW**  
RAL9005

**BL**  
blank

### GN 284

Description	d1	d2	b	d3	d4	k1	k2	l1	l2	m1	m2	Clamping kits for d3	Clamping kits for d4	⚖️
GN 284-B42-B40-S-2-*	B 42	B 40	65	M 10	M 10	74	65	230	77.5	70	115	GN 911-M10-55	GN 911-M10-63	1485
GN 284-B42-B42-S-2-*	B 42	B 42	65	M 10	M 10	74	65	230	77.5	70	115	GN 911-M10-55	GN 911-M10-63	1470
GN 284-B42-B45-S-2-*	B 42	B 45	65	M 10	M 10	74	65	230	77.5	70	115	GN 911-M10-55	GN 911-M10-63	1435
GN 284-B42-B48-S-2-*	B 42	B 48	65	M 10	M 10	74	65	230	77.5	70	115	GN 911-M10-55	GN 911-M10-63	1410
GN 284-B42-B50-S-2-*	B 42	B 50	65	M 10	M 10	74	65	230	77.5	70	115	GN 911-M10-55	GN 911-M10-63	1370
GN 284-B45-B40-S-2-*	B 45	B 40	65	M 10	M 10	74	65	230	77.5	70	115	GN 911-M10-55	GN 911-M10-63	1400
GN 284-B45-B42-S-2-*	B 45	B 42	65	M 10	M 10	74	65	230	77.5	70	115	GN 911-M10-55	GN 911-M10-63	1380
GN 284-B45-B45-S-2-*	B 45	B 45	65	M 10	M 10	74	65	230	77.5	70	115	GN 911-M10-55	GN 911-M10-63	1360
GN 284-B45-B48-S-2-*	B 45	B 48	65	M 10	M 10	74	65	230	77.5	70	115	GN 911-M10-55	GN 911-M10-63	1355
GN 284-B45-B50-S-2-*	B 45	B 50	65	M 10	M 10	74	65	230	77.5	70	115	GN 911-M10-55	GN 911-M10-63	1340
GN 284-B48-B40-S-2-*	B 48	B 40	65	M 10	M 10	74	65	230	77.5	70	115	GN 911-M10-55	GN 911-M10-63	1400
GN 284-B48-B42-S-2-*	B 48	B 42	65	M 10	M 10	74	65	230	77.5	70	115	GN 911-M10-55	GN 911-M10-63	1400
GN 284-B48-B45-S-2-*	B 48	B 45	65	M 10	M 10	74	65	230	77.5	70	115	GN 911-M10-55	GN 911-M10-63	1400
GN 284-B48-B48-S-2-*	B 48	B 48	65	M 10	M 10	74	65	230	77.5	70	115	GN 911-M10-55	GN 911-M10-63	1350
GN 284-B48-B50-S-2-*	B 48	B 50	65	M 10	M 10	74	65	230	77.5	70	115	GN 911-M10-55	GN 911-M10-63	1350
GN 284-B50-B40-S-2-*	B 50	B 40	65	M 10	M 10	74	65	230	77.5	70	115	GN 911-M10-55	GN 911-M10-63	1380
GN 284-B50-B42-S-2-*	B 50	B 42	65	M 10	M 10	74	65	230	77.5	70	115	GN 911-M10-55	GN 911-M10-63	1380
GN 284-B50-B45-S-2-*	B 50	B 45	65	M 10	M 10	74	65	230	77.5	70	115	GN 911-M10-55	GN 911-M10-63	1380
GN 284-B50-B48-S-2-*	B 50	B 48	65	M 10	M 10	74	65	230	77.5	70	115	GN 911-M10-55	GN 911-M10-63	1380
GN 284-B50-B50-S-2-*	B 50	B 50	65	M 10	M 10	74	65	230	77.5	70	115	GN 911-M10-55	GN 911-M10-63	1270
GN 284-B20-B20-T-2-*	B 20	B 20	40	M 8	M 8	42.5	40	147	52	43	72	GN 911-M8-32	GM 911-M8-35	410
GN 284-B20-B25-T-2-*	B 20	B 25	40	M 8	M 8	42.5	40	147	52	43	72	GN 911-M8-32	GM 911-M8-35	405
GN 284-B20-B30-T-2-*	B 20	B 30	40	M 8	M 8	42.5	40	147	52	43	72	GN 911-M8-32	GM 911-M8-35	405
GN 284-B25-B20-T-2-*	B 25	B 20	40	M 8	M 8	42.5	40	147	52	43	72	GN 911-M8-32	GM 911-M8-35	405
GN 284-B25-B25-T-2-*	B 25	B 25	40	M 8	M 8	42.5	40	147	52	43	72	GN 911-M8-32	GM 911-M8-35	380
GN 284-B25-B30-T-2-*	B 25	B 30	40	M 8	M 8	42.5	40	147	52	43	72	GN 911-M8-32	GM 911-M8-35	360
GN 284-B30-B20-T-2-*	B 30	B 20	40	M 8	M 8	42.5	40	147	52	43	72	GN 911-M8-32	GM 911-M8-35	405
GN 284-B30-B25-T-2-*	B 30	B 25	40	M 8	M 8	42.5	40	147	52	43	72	GN 911-M8-32	GM 911-M8-35	405
GN 284-B30-B30-T-2-*	B 30	B 30	40	M 8	M 8	42.5	40	147	52	43	72	GN 911-M8-32	GM 911-M8-35	330
GN 284-B40-B40-T-2-*	B 40	B 40	65	M 10	M 10	74	65	230	77.5	70	115	GN 911-M10-55	GN 911-M10-63	1510
GN 284-B40-B42-T-2-*	B 40	B 42	65	M 10	M 10	74	65	230	77.5	70	115	GN 911-M10-55	GN 911-M10-63	1500
GN 284-B40-B45-T-2-*	B 40	B 45	65	M 10	M 10	74	65	230	77.5	70	115	GN 911-M10-55	GN 911-M10-63	1500
GN 284-B40-B48-T-2-*	B 40	B 48	65	M 10	M 10	74	65	230	77.5	70	115	GN 911-M10-55	GN 911-M10-63	1500
GN 284-B40-B50-T-2-*	B 40	B 50	65	M 10	M 10	74	65	230	77.5	70	115	GN 911-M10-55	GN 911-M10-63	1500
GN 284-B42-B40-T-2-*	B 42	B 40	65	M 10	M 10	74	65	230	77.5	70	115	GN 911-M10-55	GN 911-M10-63	1485
GN 284-B42-B42-T-2-*	B 42	B 42	65	M 10	M 10	74	65	230	77.5	70	115	GN 911-M10-55	GN 911-M10-63	1480
GN 284-B42-B45-T-2-*	B 42	B 45	65	M 10	M 10	74	65	230	77.5	70	115	GN 911-M10-55	GN 911-M10-63	1435
GN 284-B42-B48-T-2-*	B 42	B 48	65	M 10	M 10	74	65	230	77.5	70	115	GN 911-M10-55	GN 911-M10-63	1410
GN 284-B42-B50-T-2-*	B 42	B 50	65	M 10	M 10	74	65	230	77.5	70	115	GN 911-M10-55	GN 911-M10-63	1370
GN 284-B45-B40-T-2-*	B 45	B 40	65	M 10	M 10	74	65	230	77.5	70	115	GN 911-M10-55	GN 911-M10-63	1400
GN 284-B45-B42-T-2-*	B 45	B 42	65	M 10	M 10	74	65	230	77.5	70	115	GN 911-M10-55	GN 911-M10-63	1380
GN 284-B45-B45-T-2-*	B 45	B 45	65	M 10	M 10	74	65	230	77.5	70	115	GN 911-M10-55	GN 911-M10-63	1380
GN 284-B45-B48-T-2-*	B 45	B 48	65	M 10	M 10	74	65	230	77.5	70	115	GN 911-M10-55	GN 911-M10-63	1380
GN 284-B45-B50-T-2-*	B 45	B 50	65	M 10	M 10	74	65	230	77.5	70	115	GN 911-M10-55	GN 911-M10-63	1380
GN 284-B48-B40-T-2-*	B 48	B 40	65	M 10	M 10	74	65	230	77.5	70	115	GN 911-M10-55	GN 911-M10-63	1400
GN 284-B48-B42-T-2-*	B 48	B 42	65	M 10	M 10	74	65	230	77.5	70	115	GN 911-M10-55	GN 911-M10-63	1400
GN 284-B48-B45-T-2-*	B 48	B 45	65	M 10	M 10	74	65	230	77.5	70	115	GN 911-M10-55	GN 911-M10-63	1400
GN 284-B48-B48-T-2-*	B 48	B 48	65	M 10	M 10	74	65	230	77.5	70	115	GN 911-M10-55	GN 911-M10-63	1400
GN 284-B48-B50-T-2-*	B 48	B 50	65	M 10	M 10	74	65	230	77.5	70	115	GN 911-M10-55	GN 911-M10-63	1400
GN 284-B50-B40-T-2-*	B 50	B 40	65	M 10	M 10	74	65	230	77.5	70	115	GN 911-M10-55	GN 911-M10-63	1380
GN 284-B50-B42-T-2-*	B 50	B 42	65	M 10	M 10	74	65	230	77.5	70	115	GN 911-M10-55	GN 911-M10-63	1380
GN 284-B50-B45-T-2-*	B 50	B 45	65	M 10	M 10	74	65	230	77.5	70	115	GN 911-M10-55	GN 911-M10-63	1380
GN 284-B50-B48-T-2-*	B 50	B 48	65	M 10	M 10	74	65	230	77.5	70	115	GN 911-M10-55	GN 911-M10-63	1380
GN 284-B50-B50-T-2-*	B 50	B 50	65	M 10	M 10	74	65	230	77.5	70	115	GN 911-M10-55	GN 911-M10-63	1280

Weight BL

